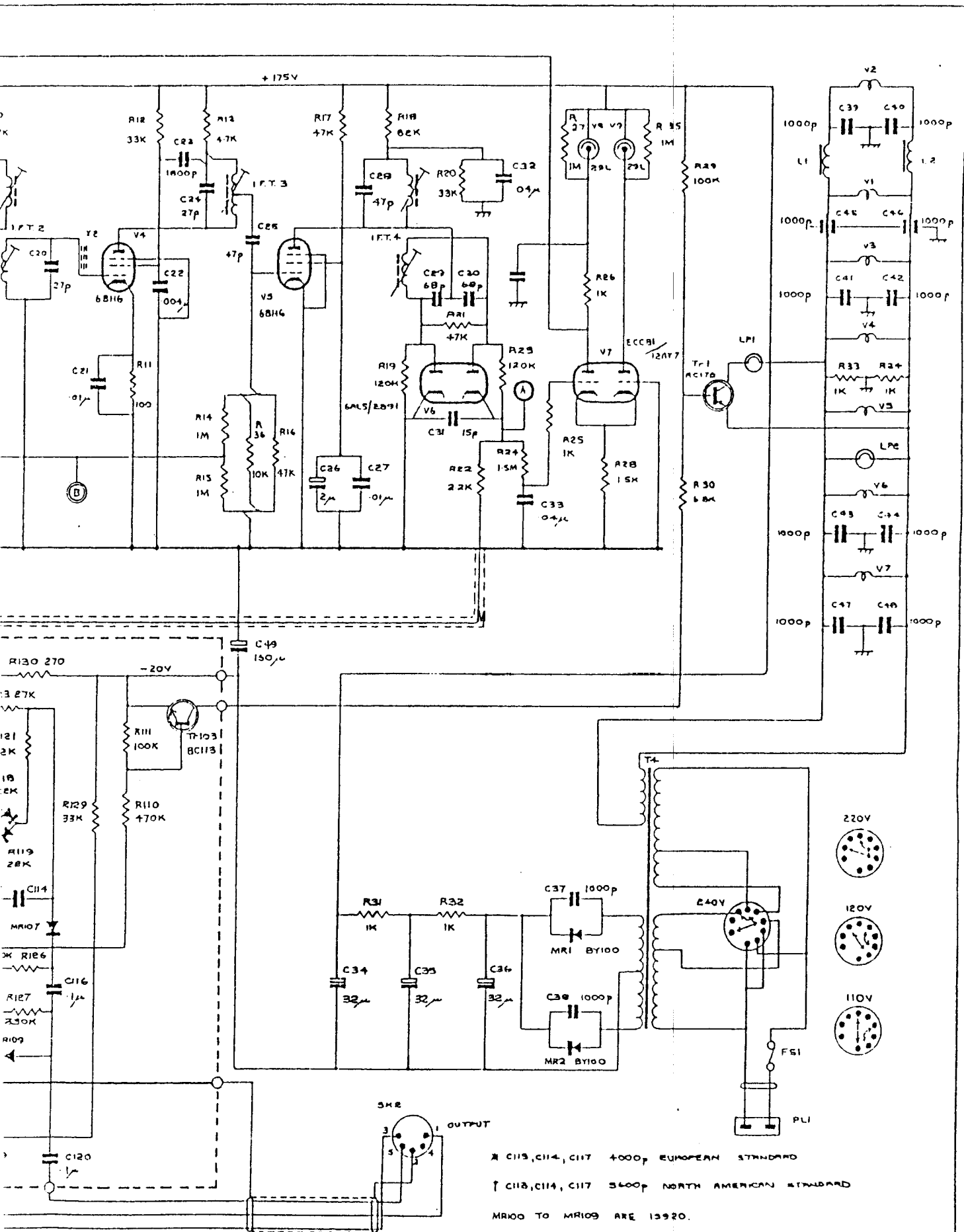


ISSUE	DATE	MODIFICATIONS	QUAD
ADDED			F. M.
			CIRCL

DRAWN	RJM	4-11-57
TRACED	RJM	6-12-57
CHECKED	MJA	11-5-57
APPROVED		



QUAD THE ACOUSTICAL MFG. CO. LTD. HUNTINGDON ENGLAND.

DRAWN	RWM	4-12-67
TRACED	RWM	6-12-67
CHECKED	MPA	11-5-67
APPROVED		

F. M. II TUNER  
CIRCUIT DIAGRAM

C12042