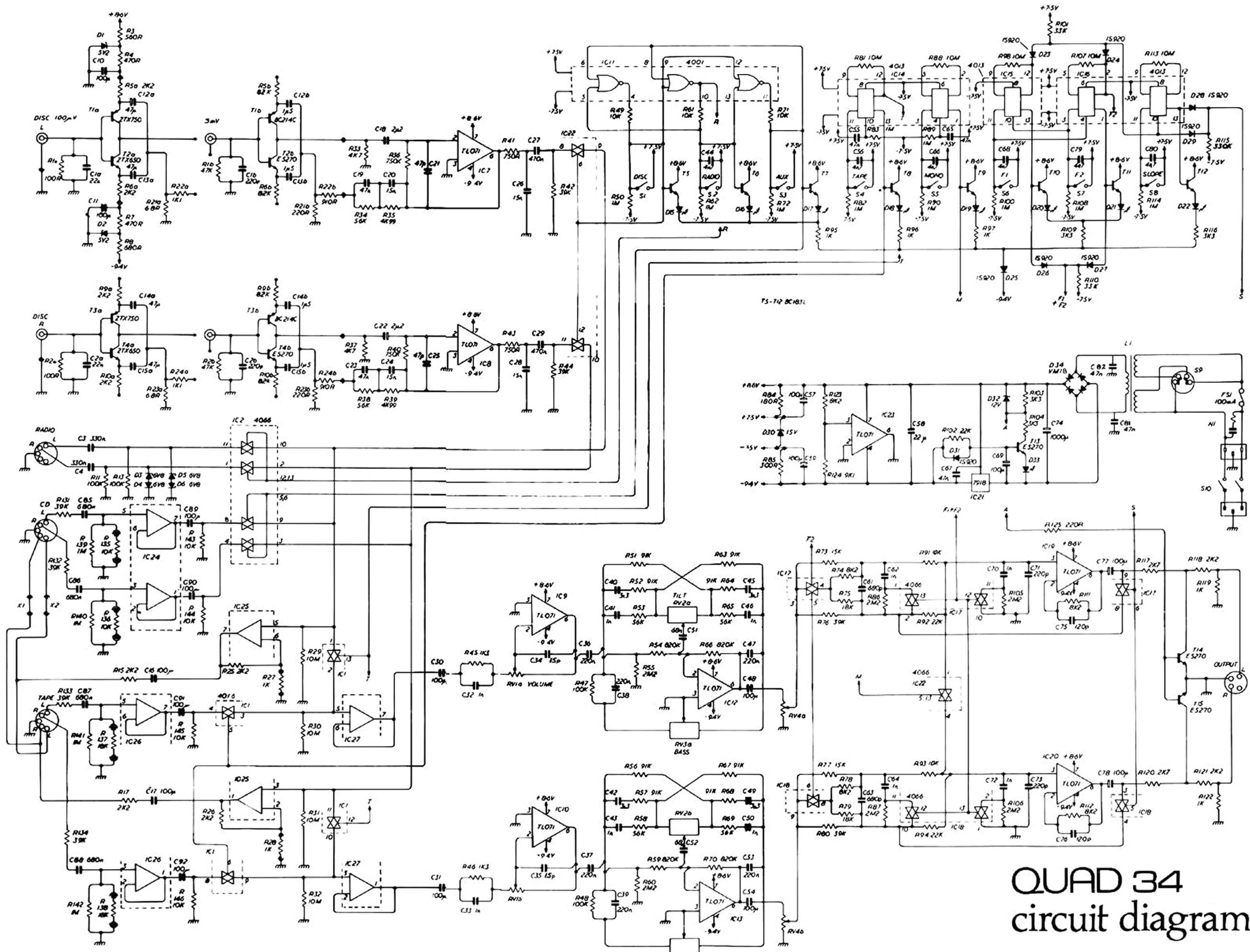




For more Hi-Fi manuals and set-up information
please visit www.hifiengine.com



QUAD 34 circuit diagram

M12746 ISS 3
From S/N 8001 PCB M12730 ISS 5