

QUAD 405-2

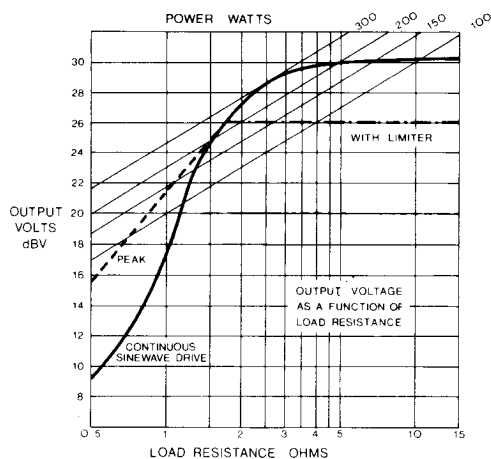
APPLICATION SHEET NO. 1

Quad 405-2 power amplifier in single channel operation

The outputs of the Quad 405-2 can be connected in series or parallel to produce a single channel power amplifier capable of delivering in excess of 200 watts into high (12-16Ω) or low (4Ω) impedance loads.

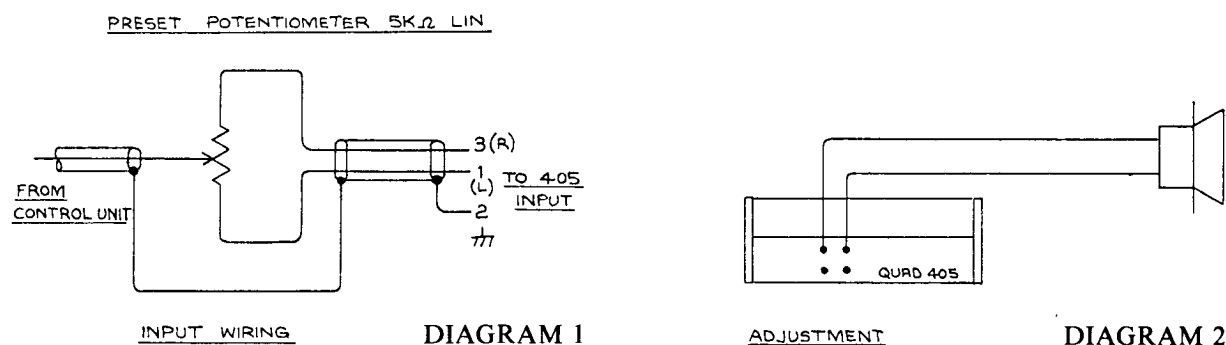
The accompanying graph shows the output characteristics of the Quad 405-2 in either configuration.

A. Outputs wired in parallel



Power output 200 watts into 4Ω.

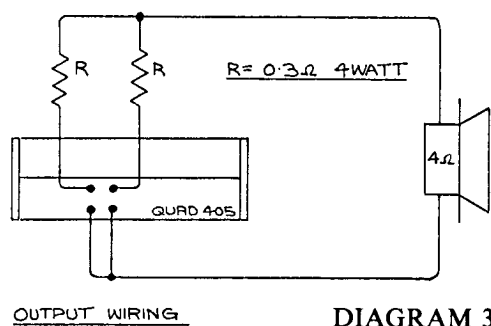
The input level to each channel must be adjusted by a pre-set potentiometer so that the output from each channel is identical to ensure accurate load sharing. Diagram 1 shows the input wiring arrangement.



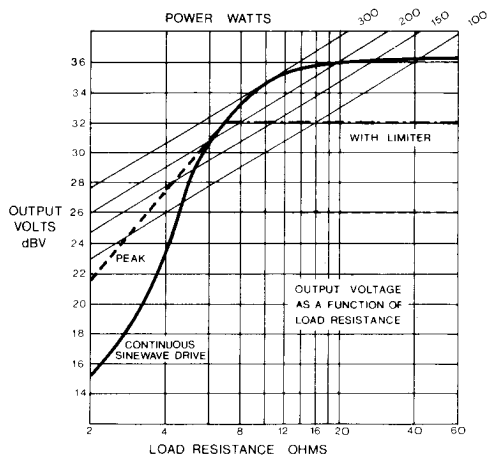
For initial adjustment the loudspeaker is connected as shown in Diagram 2. A signal is fed to the input of the amplifier. The potentiometer is adjusted until there is zero output from the loudspeaker and then sealed.

The loudspeaker is then connected as shown in Diagram 3 and the amplifier is ready for use.

OPERATION



B. Outputs wired in series

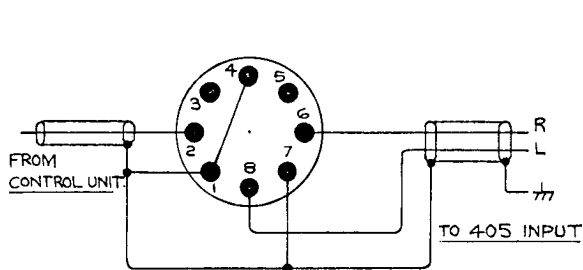


Power output 200 watts into 10-16 Ω .

A suitable 1:1 transformer with a centre tapped secondary such as the Quad L5EINAA is required.

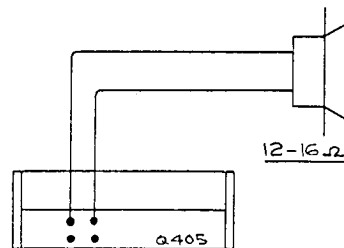
Diagram 4 illustrates the input wiring and Diagram 5 the output connections.

BASE OF 270Q/SP TRANSFORMER



INPUT WIRING

DIAGRAM 4



OUTPUT WIRING

DIAGRAM 5

NOTE: A kit is available to modify a Quad 405 into a single channel amplifier with outputs wired in parallel. Part No. Q410MOD.

QUAD

for the closest approach to the original sound

QUAD is a Registered Trade Mark

Accoustical Manufacturing Co. Ltd.
Huntingdon, Cambs. PE18 7DB
Telephone (0480) 52561

