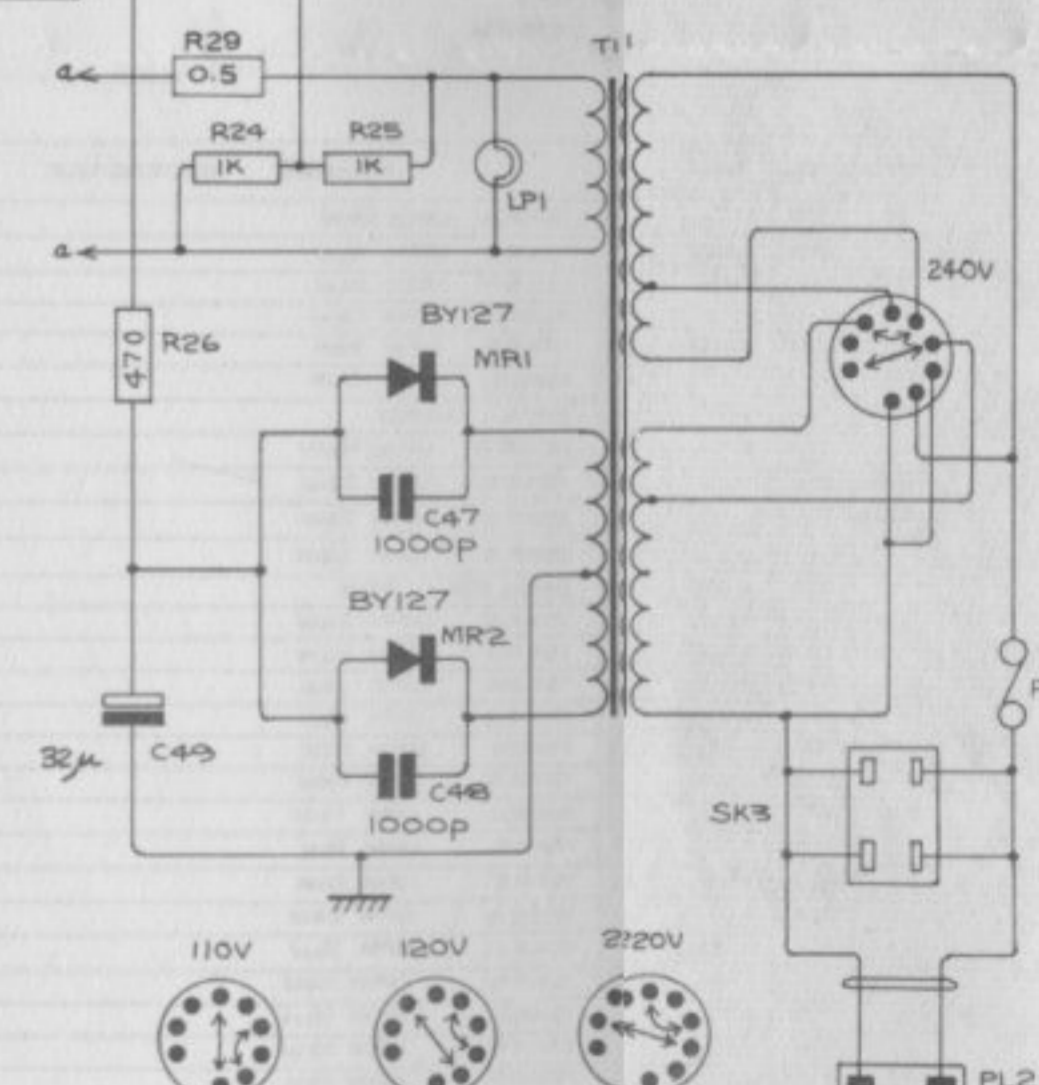


REF	VALUE	TOL	MAKERS	REFERENCE	STOCK No.	REF	VALUE	TOL	MAKERS	REFERENCE	STOCK No.	REF	VALUE	TOL	MAKERS	REFERENCE	STOCK No.
R1	33	±10%	ISKRA	UPM 1/4W	314/A	C11	10/40p		STARTITE	10 S-TRIKO 07 10/40 D90	554/N	RVI	50K		EGEN	123	385/A
R2	100K	±10%	ISKRA	UPM 1/4W	200/A	C12	10/40p		STARTITE	10 S-TRIKO 07 10/40 D90	554/N	MR1			MULLARD	BY127	
R3	180	±10%	ISKRA	UPM 1/4W	290/D	C13	10/40p		STARTITE	10 S-TRIKO 07 10/40 D90	554/N	MR2			MULLARD	BY127	
R4	4.7K	±10%	ISKRA	UPM 1/2W	240/F	C14	33p	±5%	LEMCO	7x3mm	554/N	XI			MULLARD	FX1242	442/A
R5	100K	±10%	ISKRA	UPM 1/4W	200/A	C15	0.1μ	±20%	HUNTS	BD 21	504/C						
R6	33	±10%	ISKRA	UPM 1/4W	314/A	C16	528p		ACOUSTICAL DRG. No. A11490 1552 WITH C5 & C29		554/A						
R7	18K	±10%	ERIE	10RD	220/A	C17	100p	±10%	LEMCO	7x5mm	524/A						
R8	4.7K	±10%	ISKRA	UPM 1/4W	208/F	C18	180p	±2%	LEMCO	7x5mm	527/N	L1			LW. AERIAL COIL	GB ELECTRICAL 4516	749/P
R9	150	±10%	ISKRA	UPM 1/4W	295/A	C19	0.4μ	±20%	250V	HUNTS BD16	501/A	L2			M.W. AERIAL COIL	GB ELECTRICAL 4513	749/Q
R10	4.7K	±10%	ISKRA	UPM 1/4W	208/F	C20	180p	±2%	LEMCO	7x5mm	527/N	L3			SW. AERIAL COIL TO DRG. No. A11845 155.1	749/N	
R11	4.7	±10%	ISKRA	UPM 1/4W	310/C	C21	47p	±5%	350V	LEMCO 7x4mm	534/A	L4			LW. R.F. COIL	GB ELECTRICAL 4517	749/S
R12	22K	±10%	DUBILIER	BTR	217/B	C22	180p	±2%	125V	LEMCO 7x5mm	527/O	L5			M.W. R.F. COIL	GB ELECTRICAL 4514	749/T
R13	2.2M	±10%	ISKRA	UPM 1/4W	157/D	C23	510p	±2%	125V	LEMCO 7x6mm	524/N	L6			SW. R.F. COIL TO DRG. No. A11485 155.1	749/O	
R14	270K	±10%	ISKRA	UPM 1/4W	195/F	C24	4700p	±5%	125V	LEMCO 20x10mm	512/A	L7			L.W. OSCILLATOR COIL	GB ELECTRICAL 4518	749/V
R15	100K	±10%	ISKRA	UPM 1/4W	200/A	C25	10/40p		STARTITE	10 S-TRIKO 07 10/40 D90	554/N	L8			M.W. OSCILLATOR COIL	GB ELECTRICAL 4515	749/W
R16	2.2M	±10%	ISKRA	UPM 1/4W	157/D	C26	10/40p		STARTITE	10 S-TRIKO 07 10/40 D90	554/N	L9			SW. OSCILLATOR COIL TO DRG. No. A11485 155.1	749/M	
R17	180	±10%	ISKRA	UPM 1/4W	290/D	C27	6/25p		STARTITE	10 S-TRIKO 07 6/25 D90	554/M	L10			FILTER COIL	ACOUSTICAL DRG. No. A11506 156.1	749/L
R18	56K	±10%	ISKRA	UPM 1/2W	204/A	C28	68p	±5%	350V	LEMCO 7x5mm	528/A						
R19	470K	±10%	ISKRA	UPM 1/4W	176/C	C29	528p		ACOUSTICAL DRG. No. A11490 1552 WITH C5 & C16		554/A	I.F.T.1			ACOUSTICAL DRG. No. A1193 153.1	749/J	
R20	27K	±10%	ISKRA	UPM 1/4W	210/D	C30	100p	±10%	350V	LEMCO 7x5mm	528/A	I.F.T.2			ACOUSTICAL DRG. No. A11477 156.2	749/K	
R21	27K	±10%	ISKRA	UPM 1/4W	210/D	C31	0.1μ	±20%	500V	HUNTS BD21	504/C						
R22	150K	±10%	ISKRA	UPM 1/4W	193/A	C32	6.8p	±5p		ERIE P100R	547/A						
R23	15K	±10%	ISKRA	UPM 1/4W	224/C	C33	0.4μ	±20%	250V	HUNTS BD16	501/A						
R24	1K	±10%	ISKRA	UPM 1/4W	258/E	C34	68p	±5%	350V	LEMCO 7x5mm	527/N	V1			MULLARD	6F89	
R25	1K	±10%	ISKRA	UPM 1/4W	218/E	C35	180p	±2%	125V	LEMCO 7x5mm	527/N	V2			MULLARD	ECH81	
R26	470	±10%	ISKRA	UPM 1/2W	270/G	C36	0.4μ	±20%	250V	HUNTS BD16	501/A	V3			MULLARD	6F89	
R27	0.8K	±10%	ISKRA	UPM 1/4W	235/B	C37	4.7p	±5p		ERIE P100R	549/A	V4			MULLARD	EM84	
R28	470K	±10%	ISKRA	UPM 1/4W	176/C	C38	180p	±2%	125V	LEMCO 7x5mm	527/N						
R29	0.5	±5%	AMC	3W	334/A	C39	16μ		350V	HUNTS KDQ485H WITH C10 & C45	469/E						
C1	10/40p			STARTITE 10 S-TRIKO 07 10/40 D90	554/M	C40	0.1μ	±20%	500V	HUNTS BD21	504/C						
C2	10/40p			STARTITE 10 S-TRIKO 07 10/40 D90	554/N	C41	100p	±10%	350V	LEMCO 7x5mm	528/A						
C3	10/40p			STARTITE 10 S-TRIKO 07 10/40 D90	554/N	C42	22p	±5%	350V	LEMCO 7x3mm	544/A						
C4	33p	±5%	LEMCO	7x3mm	537/A	C43	1800p	±5%	125V	LEMCO 10x8mm	515/G						
C5	528p			ACOUSTICAL DRG. No. A11490 155.2 WITH C16 & C29	554/A	C44	0.1μ			MULLARD C296AC/A100K	495/F						
C6	100p	±10%	LEMCO	7x5mm	528/A	C45	16μ		350V	HUNTS KDQ485H WITH C10 & C39	469/E						
C7	0.4μ	±20%	250V	HUNTS BD16	501/A	C46	0.4μ	±20%	250V	HUNTS BD16	501/A						
C8	0.4μ	±20%	250V	HUNTS BD16	501/A	C47	1000p	±20%	750V	ERIE AP K3000/AP/II	516/J						
C9	0.1μ	±20%	500V	HUNTS BD21	504/C	C48	1000p	±20%	750V	ERIE AP K3000/AP/II	516/J						
C10	16μ		350V	HUNTS KDQ485H WITH C39 & C45	469/E	C49	32μ		275V	HUNTS JP283AT	469/B						



QUAD AM 3 TUNER (European)